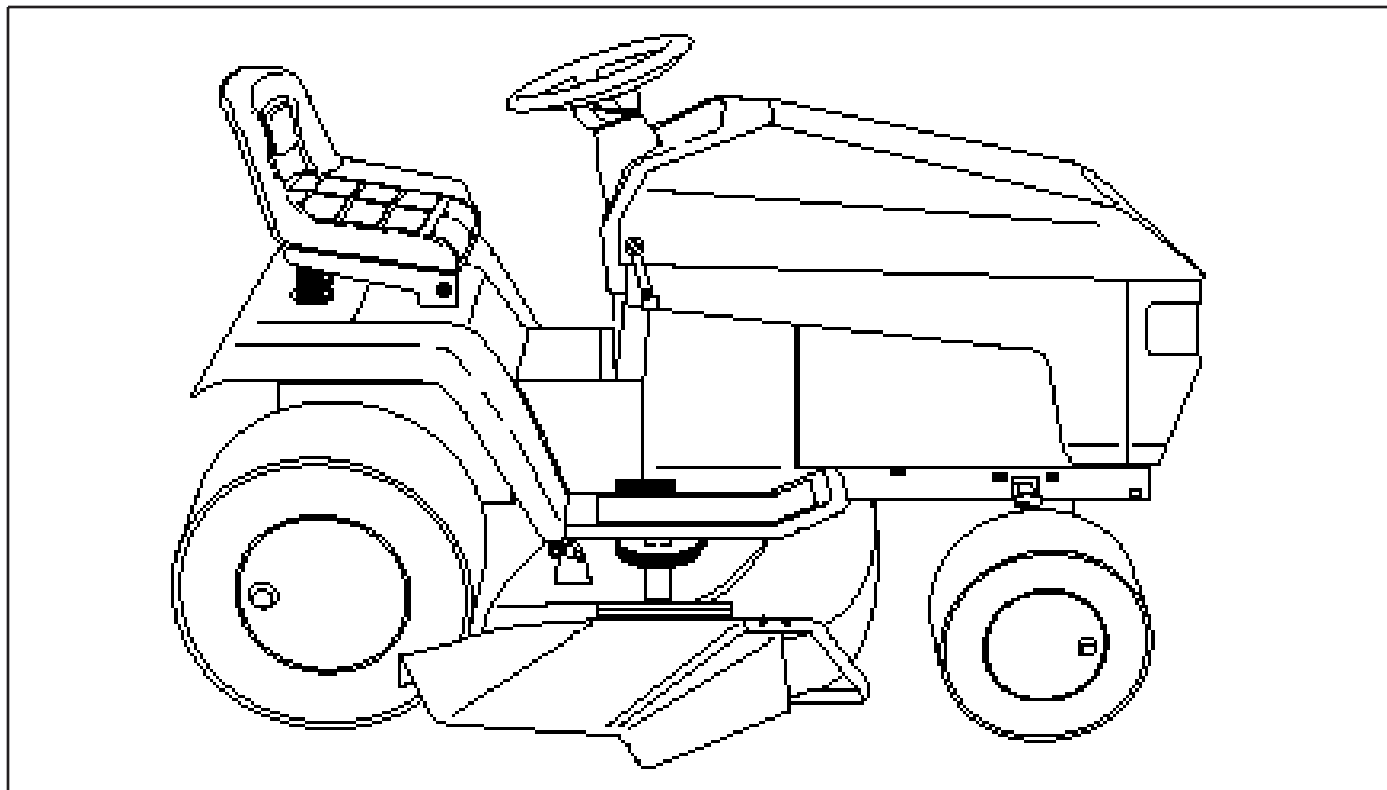


GT 200



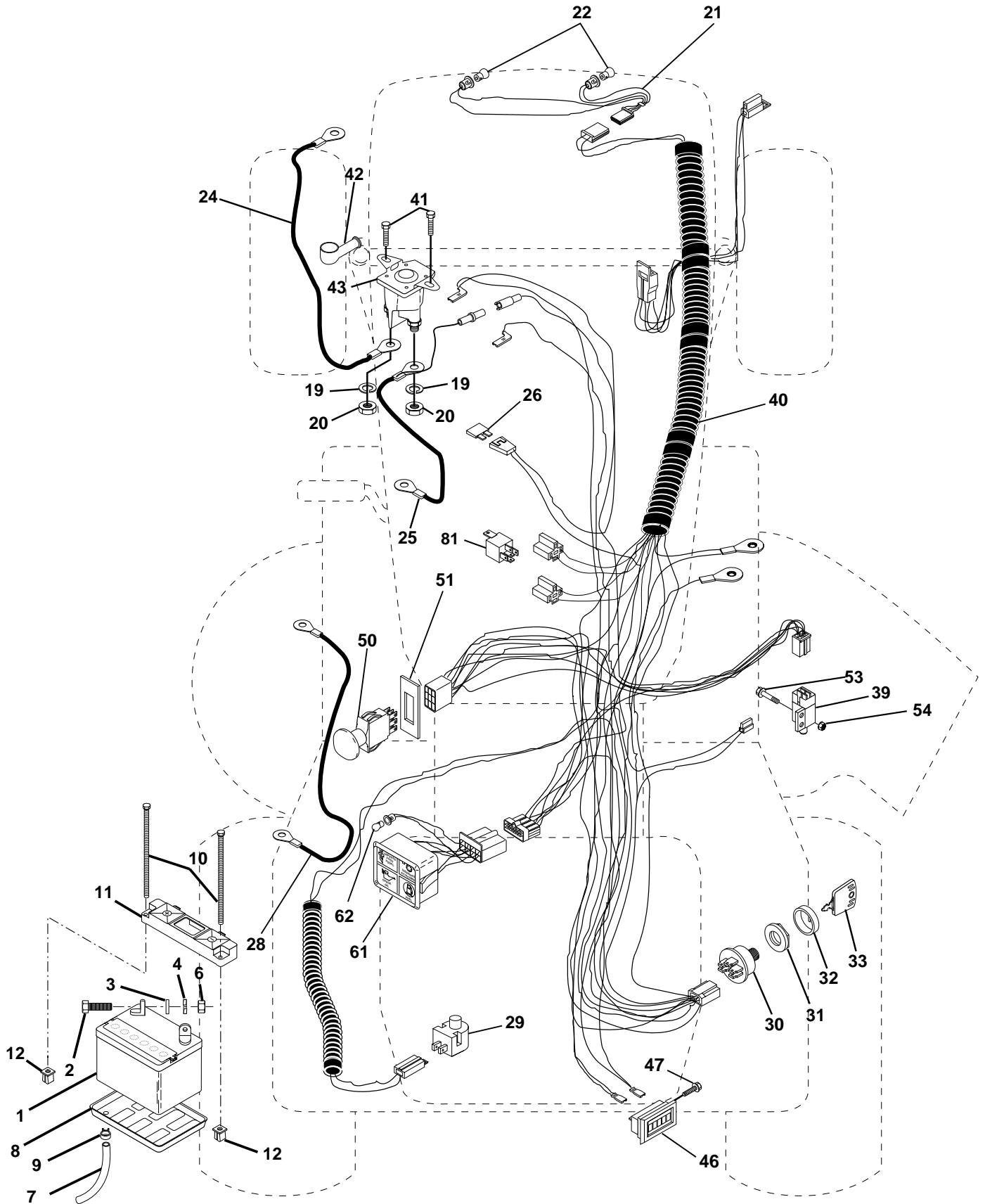
1.1997
Spare Parts

954 14 00-11A

REPAIR PARTS

TRACTOR - MODEL NO. GT200 (954140011A)

ELECTRICAL



REPAIR PARTS

TRACTOR - MODEL NO. GT200 (954140011A)

ELECTRICAL

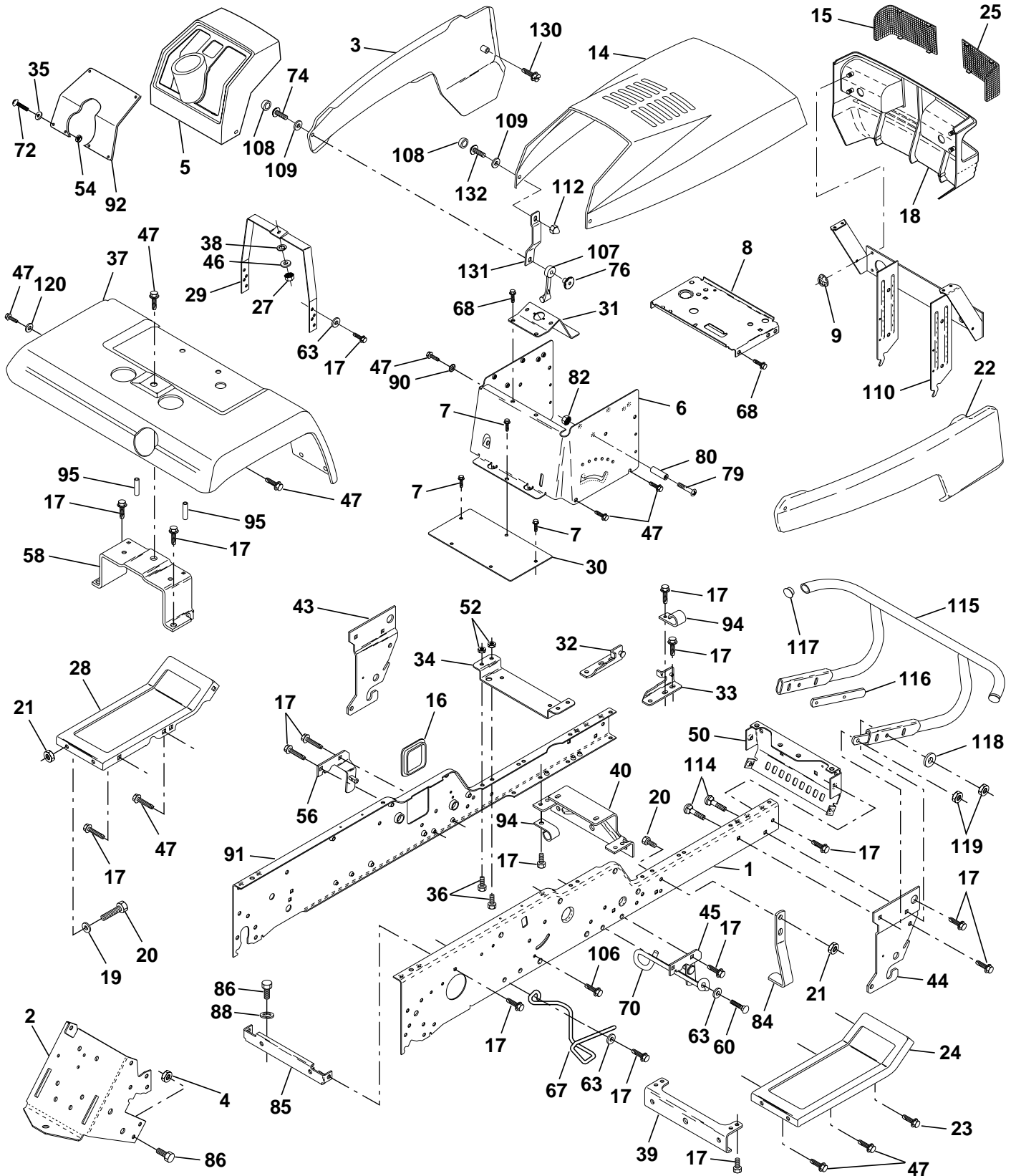
KEY NO.	PART NO.	DESCRIPTION
1	532 14 61-41	Battery
2	874 76 04-12	Bolt Hex Head 1/4-20 x 3/4
3	810 04 04-00	Washer, Lock 1/4
4	819 09 10-16	Washer 9/32 x 5/8 x 16 Ga
6	873 22 04-00	Nut Fin Hex 1/4-20
7	532 00 76-97	Tube Plastic
8	532 12 48-86	Tray, Battery
9	532 10 95-96	Clamp, Hose
10	532 14 52-11	Bolt, Btr Frt 1/4-20 x 7-1/2 Zinc
11	532 15 01-09	Holddown Battery Front Mount
12	532 14 57-69	Nut Push Nylon 1/4" Battery Frt.
19	810 09 04-00	Washer, Lock 1/4
20	873 35 04-00	Nut, Jam Hex 1/4-20
21	532 13 68-50	Harness Socket Light w/4152J
22	532 00 41-52	Bulb Light
24	532 00 40-14	Cable, Starter
25	532 14 66-86	Cable, Battery
26	532 10 88-24	Fuse
28	532 00 64-08	Cable, Ground
29	532 12 13-05	Switch, Plunger
30	532 14 03-01	Switch, Ign
31	532 12 42-11	Nut, Ignition Switch
32	532 14 12-26	Cover Switch Key
33	532 12 21-47	Key
39	532 10 95-53	Intlk Switch
40	532 15 61-60	Harness Ign.
41	817 72 04-08	Screw 1/4-20 x 1/2
42	532 13 15-63	Cover, Terminal Red
43	532 14 56-73	Solenoid
46	532 11 09-40	Meter Hour
47	817 01 10-08	Screw #10-24 x 1/2
50	532 15 49-59	Switch, PTO
51	532 14 04-05	Ring Retainer PTO
53	871 03 10-08	Screw Hex Washer Hd #10-32 x 1
54	873 95 10-00	Nut Keps #10-32
61	532 13 81-01	Light Pkg Asm
62	532 11 01-43	Bulb, Light Pkg.
81	532 10 97-48	Relay Asm.

NOTE: All component dimensions given in U.S. inches
1 inch = 25.4 mm

REPAIR PARTS

TRACTOR - MODEL NO. GT200 (954140011A)

CHASSIS AND ENCLOSURES



REPAIR PARTS

TRACTOR - MODEL NO. GT200 (954140011A)

CHASSIS AND ENCLOSURES

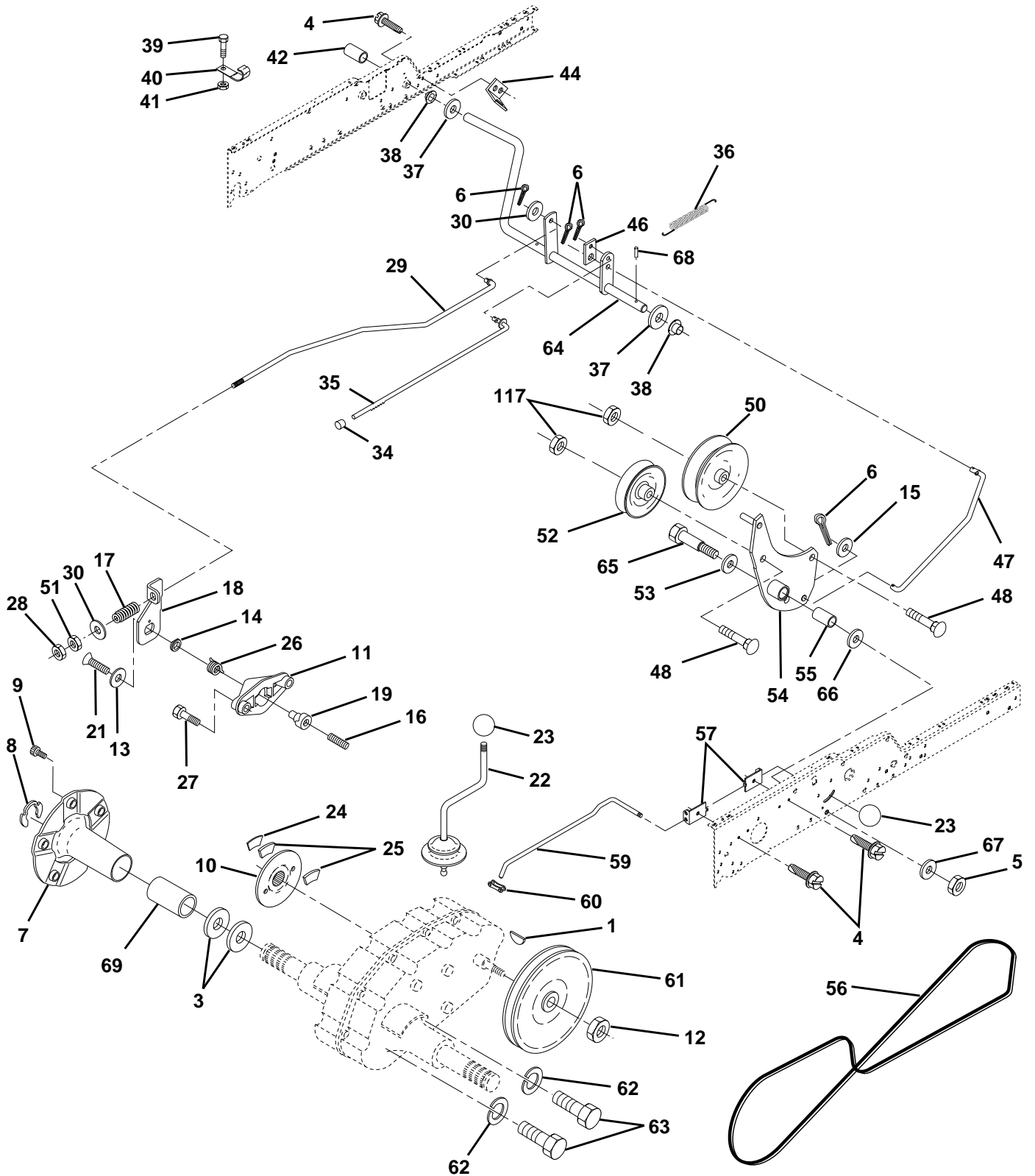
KEY NO.	PART NO.	DESCRIPTION	KEY NO.	PART NO.	DESCRIPTION
1	532 15 02-53	Rail, Frame RH	54	873 51 05-00	Nut 5/16-18
2	532 14 05-06	Drawbar, Gt	56	532 15 49-14	Bracket Asm., Susp Chassis Lh
3	532 15 04-78	Panel Asm., Side LH	58	532 13 71-13	Bracket Asm., Fender
4	873 80 07-00	Nut, Lock Hex 7/16 Unc	60	817 49 06-20	Screw Thdrol 3/8-16 x 1-1/4
5	532 14 04-52	Dash, Plastic Black	63	819 13 16-14	Washer 13/32 x 1 x 14 Ga.
6	532 15 02-73	Dash 1-PCS, Lower	67	532 14 07-37	Guide Belt Trans VGT
7	817 72 04-08	Screw, Thd Cut 1/4-20 x 1/2	68	817 49 05-08	Screw, Thdrol 5/16-18 x 1/2
8	532 14 51-66	Support, Battery	70	532 13 71-59	Guide, Belt Mid Span
9	532 10 80-67	Nut Pal	72	874 18 05-12	Screw, Mach Trhd 5/16-18 x 3/4
14	532 15 04-77	Hood Asm., Pnt	74	874 19 10-08	Screw, Machine #10-24
15	532 15 70-68	Lens, Headlight LH	76	532 12 50-04	Nut, Weld #10-24
16	532 12 17-94	Cover, Access	79	874 98 10-20	Screw, Machine #10-24 x 1/4
17	817 49 06-12	Screw, Thdrol 3/8-16 x 3/4	80	532 00 72-06	Spacer, Split
18	532 15 72-36	Grille	82	873 73 10-00	Nut #10-24
19	819 13 13-12	Washer 13/32 x 13/16 x 12 Ga.	84	532 14 29-92	Stop, Over Center 44" 20/23" T. 94
20	874 76 06-16	Bolt, Fin Hex 3/8-16 x 1	85	532 14 49-11	Bracket Support Pnt Trans VGT
21	873 68 06-00	Nut, Crownlock 3/8-16 Unc	86	874 76 07-16	Bolt, Fin Hex 7/16-14 Unc x 1
22	532 15 04-79	Panel Asm., Side RH	88	810 04 07-00	Washer Lock Hvy Hlcl Spr 7/16
23	817 49 06-16	Screw Thdrol. 3/8-16 x 1 Ty-TT	90	811 05 06-00	Washer, Lock External Tooth 3/8
24	532 14 72-02	Footrest, RH	91	532 15 08-51	Rail, Frame Lh
25	532 15 70-69	Lens Headlight RH	92	532 15 72-21	Plate, Silkscreen Dash
27	873 22 04-00	Nut Fin Hex 1/4-20	94	532 10 02-07	Clip, Fuel Line
28	532 14 72-03	Footrest, LH	95	532 10 55-31	Push Nut, Nylon
29	532 14 52-05	Bracket, Support Dash	106	532 13 87-76	Screw Thdrol. Hex Hd Zinc Mur
30	532 14 84-11	Saddle	107	532 10 98-08	Latch, Chute Blk
31	532 14 51-83	Brace, Support Steering	108	532 11 03-56	Cap, Snap Black
32	532 14 13-15	Bracket Asm., Frame Pivot Lh	109	532 11 03-57	Cap, Washer Snap
33	532 14 13-14	Bracket Asm., Frame Pivot Rh	110	532 15 02-00	Pivot Asm. Grille/Hood Husq. VGT
34	532 14 21-31	Bracket, Engine Support Rear	112	532 06 08-67	Nut, Acorn, Hex #10-24
35	819 11 11-16	Washer 11/32 x 11/16 x 16 Ga.	114	872 14 06-10	Bolt, Carriage 3/8-16 x 1-1/4
36	874 78 05-12	Bolt, Fin Hex 5/16-18 x 3/4	115	532 15 03-00	Bumper Asm.
37	532 12 49-27	Fender, Pnt.	116	532 14 14-61	Bracket Extension Bumper
38	810 04 04-00	Washer, Lock 1/4	117	532 14 36-79	Plug Plastic
39	532 13 69-61	Bracket, Axle Front	118	819 13 13-16	Washer 13/32 x 13/16 x 16 Ga.
40	532 14 21-32	Bracket, Support Axle/Engine	119	873 68 06-00	Nut Crownlock 3/8-16 UNC
43	532 13 69-39	Bracket, Spnsn Front Lh	120	819 13 16-16	Washer 13/32 x 1 x 16 Ga.
44	532 13 69-40	Bracket, Spnsn Front Rh	130	817 52 13-12	Screw, SLTD Hex Hd. W/PI Washer
45	532 15 49-13	Bracket Asm., Susp Chassis Rh	131	532 15 01-95	Bracket Support Hood/Panel YP
46	819 09 12-16	Washer 9/32 x 3/4 x 16 Ga.	132	874 29 10-06	Screw Truss Hd #10-24 x 3/8
47	817 49 06-08	Screw Thdrol 3/8-16 x 1/2	--	532 12 50-85	Plug, Hole
50	532 15 27-28	Bracket, Chassis Front			
52	873 80 05-00	Locknut, Hex W/Ins 5/16-18 Unc			

NOTE: All component dimensions given in U.S. inches
1 inch = 25.4 mm

REPAIR PARTS

TRACTOR - MODEL NO. GT200 (954140011A)

GROUND DRIVE



REPAIR PARTS

TRACTOR - MODEL NO. GT200 (954140011A)

GROUND DRIVE

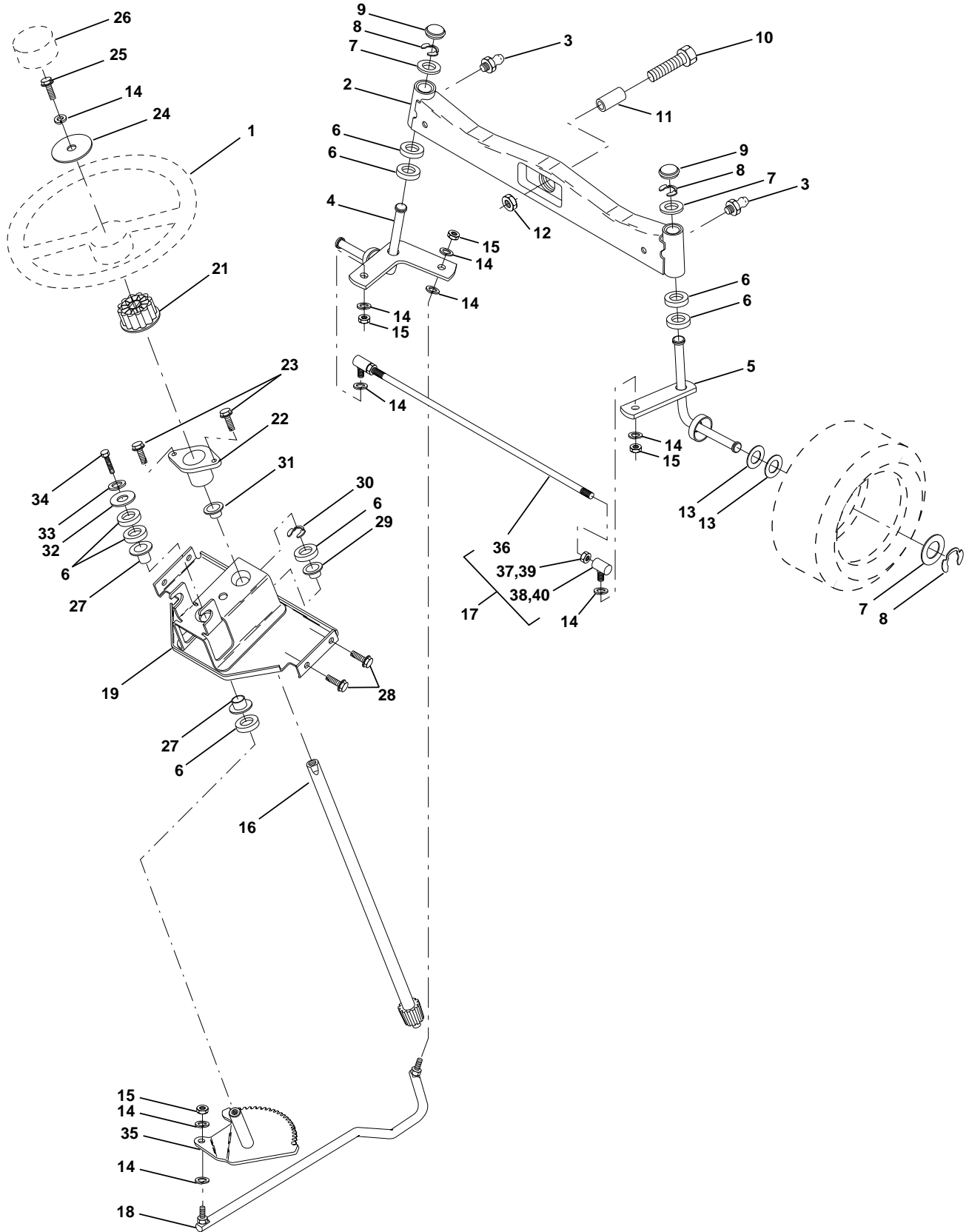
KEY NO.	PART NO.	DESCRIPTION	KEY NO.	PART NO.	DESCRIPTION
1	532 12 47-08	Key Woodruff	38	532 15 00-35	Nyliner
3	532 00 75-63	Washer Thrust Axle Harden	39	874 32 10-16	Screw Fin #10-24 x 1
4	817 49 05-08	Screw Thdrol 5/16-18 x 1/2 TYT	40	532 00 53-04	Actuator Interlock Switch
5	873 68 06-00	Nut Crownlock 3/8-16	41	873 63 10-00	Nut Lock #10-24
6	876 02 04-12	Pin Cotter 1/8 x 3/4	42	532 12 35-33	Cover Pedal
7	532 14 91-76	Wheel Hub Asm.	43	874 76 04-12	Bolt Hex Head 1/4-20 x 3/4
8	812 00 00-34	Ring Klip	44	532 10 46-01	Bracket Interlock
9	532 14 00-80	Bolt Hub	45	873 80 04-00	Nut Lock W/Insert 1/4-20
10	532 14 25-09	Disc Brake	46	532 14 51-70	Retainer Spring
11	532 13 69-27	Yoke Brake Disc	47	532 13 82-28	Clutch Rod
12	532 00 92-04	Locknut 1/2-20	48	872 11 06-14	Bolt Carriage 3/8-16 x 1-3/4 Gr 5
13	532 13 94-19	Washer Special	49	819 13 14-13	Washer 13/32 x 7/8 x 13 Ga
14	532 13 89-01	Bushing	50	532 13 14-94	Pulley Idler Flat
15	819 13 13-16	Washer 13/32 x 13/16 x 16 Ga	51	873 80 06-00	Nut Lock Hex 3/8-16
16	532 14 30-12	Set Screw 1/4-28 x 3/4	52	532 13 91-23	Pulley Idler Grooved
17	532 12 69-09	Spring	53	532 00 02-07	Washer Hardtened
18	532 13 71-04	Lever Brake	54	532 13 83-90	Clutch Arm Asm
19	532 13 69-26	Cam Brake Disc	55	532 10 57-06	Bearing, Idler
21	823 26 04-12	Screw Flat Head 1/4-28 x 3/4	56	532 13 71-53	V-Belt
22	532 12 48-63	Gearshift Lever Assembly	57	532 14 17-56	Bracket Shift Rod Hi-Lo
23	532 12 14-66	Knob	59	532 12 22-53	Shift RodHi-Lo
24	532 13 69-25	Support Puck Brake	60	532 12 22-68	Spring Clip Connecting Link
25	532 13 69-23	Puck Brake Top	61	532 13 75-24	Pulley Transaxle
26	532 13 75-52	Spring Return	62	810 04 07-00	Washer Lock 7/16
27	817 49 05-28	Screw Hex Wsh Thd 5/16-18 x 1-3/4	63	874 76 07-20	Bolt Fin Hex 7/16-14 x 1-1/4
28	873 35 06-00	Nut Hex Jam 3/8-16	64	532 15 47-52	Shaft Clutch/Brake Pedal
29	532 13 72-13	Brake Rod	65	532 06 76-09	Bolt Shoulder
30	819 13 16-16	Washer 13/32 x 1 x 16 Ga	66	532 14 02-96	Washer Hardened
34	532 07 16-73	Cap Plunger	67	819 13 13-12	Washer 13/32 x 13/16 x 12 Ga.
35	532 13 76-48	Rod Parking Brake	68	532 00 51-42	Pin Roll
36	532 14 94-12	Spring Drive Ground	69	532 13 63-27	Hub Cover
37	532 12 17-49	Washer 25/32 x 1-1/4 x 16 Ga			

NOTE: All component dimensions given in U.S. inches
1 inch = 25.4 mm

REPAIR PARTS

TRACTOR - MODEL NO. GT200 (954140011A)

STEERING ASSEMBLY



REPAIR PARTS

TRACTOR - MODEL NO. GT200 (954140011A)

STEERING ASSEMBLY

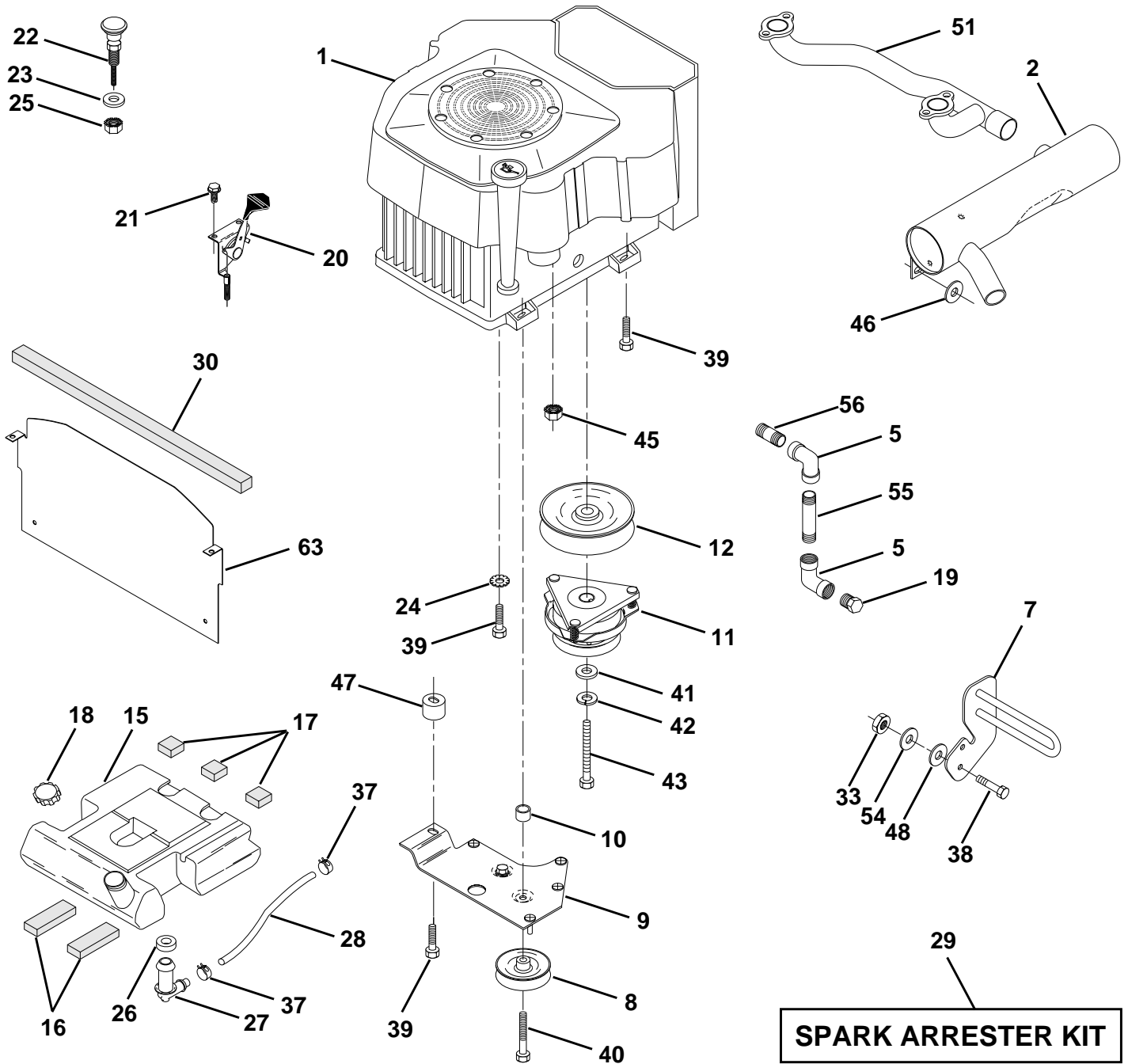
KEY NO.	PART NO.	DESCRIPTION
1	532 12 44-15	Wheel, Steering
2	532 13 70-94	Axle Asm., Front
3	532 12 48-36	Fitting, Grease
4	532 13 69-60	Spindle Asm, LH
5	532 13 69-59	Spindle Asm., RH
6	532 12 49-31	Bearing, Race Thrust Harden
7	532 12 17-48	Washer 25/32 x 1-5/8 x 16 Ga.
8	812 00 00-29	Ring, Klip #T5304-75
9	532 12 12-32	Cap, Spindle
10	874 78 10-44	Bolt, Fin Hex 5/8-11 x 2-3/4
11	532 13 65-18	Spacer, Brg. Axle Front
12	873 90 10-00	Nut, Lock Flange 5/8-11 Unc
13	532 12 17-49	Washer 25/32 x 1-1/4 x 16 Ga.
14	810 04 06-00	Washer, Lock Hvy Hlcl Spr 3/8
15	532 12 47-01	Nut, Lock Center 3/8-24 Unf
16	532 14 51-03	Shaft Asm., Steering
17	532 13 73-47	Rod Asm., Tie Ball J Ball Vgt (Inc. Key No. 36-40)
18	532 13 71-55	Draglink, Ball Joint Solid Vgt
19	532 14 66-11	Support Asm., Steering Vgt
21	532 10 07-11	Adapter, Wheel Steering
22	532 15 51-05	Bushing, Strg. Blk
23	532 15 29-27	Screw
24	819 13 38-08	Washer 13/32 x 2-3/8 x 8 Ga.
25	874 78 06-16	Bolt, Fin Hex 3/8-16 x 1 Gr. 5
26	532 12 44-16	Cap, Wheel Steering
27	532 12 49-37	Bearing, Col. Strg.
28	817 49 06-12	Screw Thdrol 3/8-16 x 3/4
29	532 10 42-39	Bearing, Flange
30	812 00 00-34	Ring, Klip Truarc #5304-75
31	532 13 81-36	Bushing, Nyliner Snap
32	819 11 16-10	Washer 11/32 x 1 x 10 Ga.
33	810 04 05-00	Washer, Lock Hvy Hlcl Spr 5/16
34	874 76 05-12	Bolt, Hex Hd 5/16-18 x 3/4
35	532 13 80-59	Gear, Sector Steering
36	532 13 71-56	Tie Rod
37	873 36 06-00	Jam Nut RH Thread
38	532 10 98-50	Joint Asm. Ball RH Thread
39	873 70 06-00	Jam Nut LH Thread
40	532 10 98-51	Joint Asm. Ball LH Thread

NOTE: All component dimensions given in U.S. inches
1 inch = 25.4 mm

REPAIR PARTS

TRACTOR - MODEL NO. GT200 (954140011A)

ENGINE



REPAIR PARTS

TRACTOR - MODEL NO. GT200 (954140011A)

ENGINE

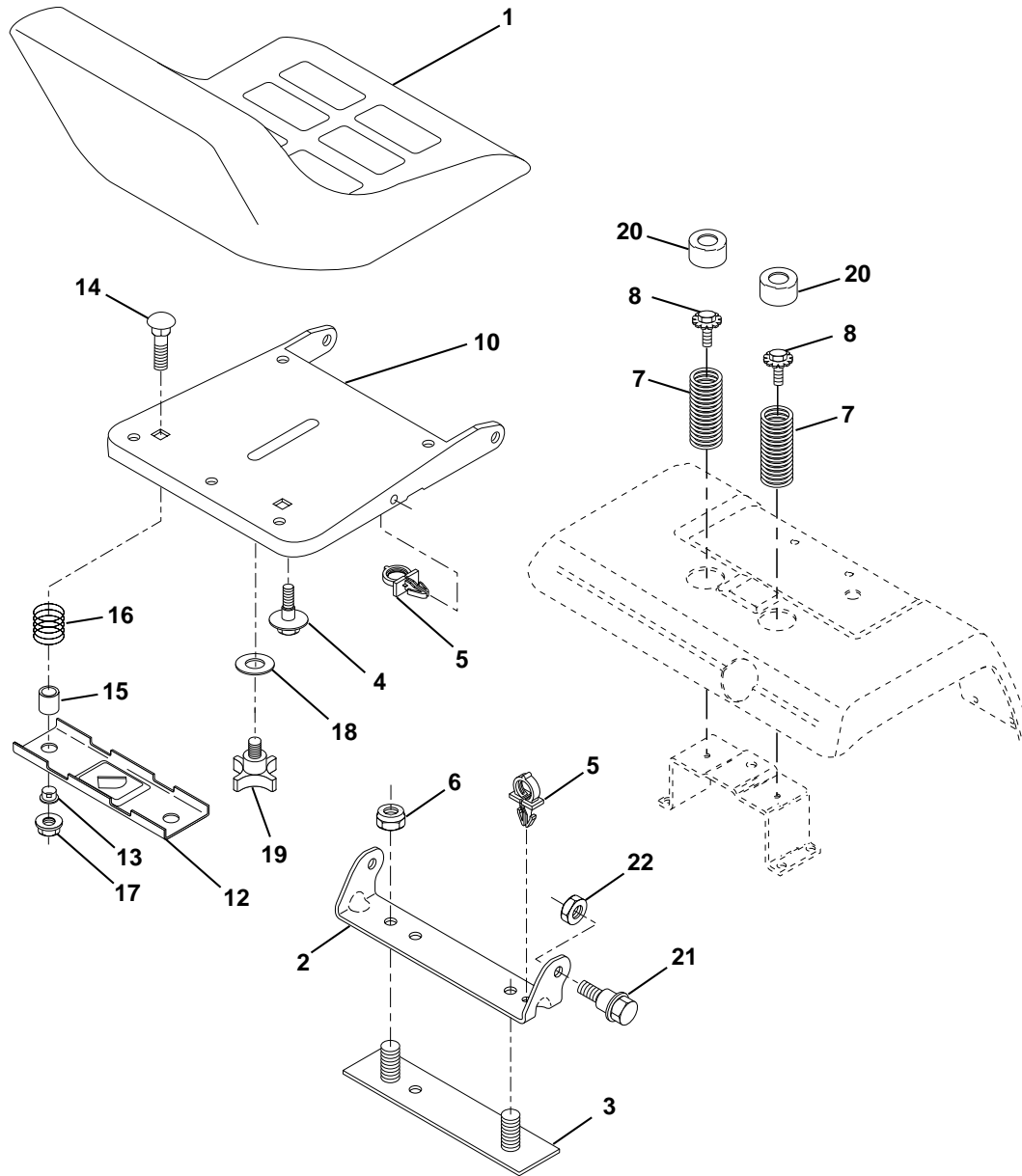
KEY NO.	PART NO.	DESCRIPTION
1	-----	Engine Kohler, Model No. CV20S
2	532 14 46-36	Muffler VGT Cylinder
5	813 20 03-00	Elbow STD 90 Degree 3/8-18 NPT
7	532 15 13-96	Muffler Assembly Guard
8	532 12 13-61	Pulley V-Idler
9	532 15 08-28	Keeper Asm. Belt Engine VGT 96
10	532 10 54-32	Bushing
11	532 14 09-23	Clutch Electric
12	532 14 39-96	Pulley Engine VGT Elect Clutch
15	532 15 13-46	Tank Fuel Rear 3.50 YT/GT 96
16	532 10 92-27	Pad Spacer
17	532 10 60-82	Pad Spacer
18	532 14 05-27	Cap Asm Fuel W/Sym Vented
19	813 29 03-00	Plug Oil Drain (Order From Engine Manufacturer)
20	532 13 27-47	Control Throttle
21	817 72 04-10	Screw Hex Thd Cut 1/4-20 X 5/8
22	532 13 27-81	Control Choke
23	819 13 13-16	Washer 13/32 X 13/16 x 16 Ga
24	811 05 06-00	Washer Ext Tooth 3/8
25	873 92 06-00	Nut Keps 3/8 - 24 UNF
26	532 12 49-52	Bushing
27	532 13 92-77	Stem Tank Fuel
28	532 12 47-03	Fuel Line
29	532 13 29-20	Spark Arrester Kit
30	532 10 50-37	Strip Foam 18"
33	873 80 06-00	Nut, Hex W/Ins. 3/8-16 UNC
37	532 12 34-87	Clamp Hose
38	874 78 06-24	Bolt, Fin Hex 3/8-16 UNC x 1-1/2
39	817 49 06-36	Screw TT 3/8-16 x 2-1/4 UNC
40	817 49 06-64	Screw TT 3/8-16 x 4 UNC
41	532 12 61-97	Washer 1-1/2 OD X 15/32 ID X .250
42	810 04 07-00	Washer Lock 7/16
43	532 15 02-80	Bolt Hex 7/16-20 X 4-1/4 Ga 5
45	532 12 88-61	Nut Flange 1/4-20 Starter Nut
46	819 13 16-16	Washer 13/32 x 1 x 16 Ga.
47	532 14 20-40	Spacer Engine
48	819 13 20-07	Washer 13/32 x 1-1/4 x 7 Ga.
51	532 14 07-87	Pipe Crossover
54	819 13 14-14	Washer Flat 13/32 x 7/8 x 14 Ga.
55	813 09 03-36	Nipple, Pipe 3/8 NPT x 4-1/2
56	813 09 03-08	Nipple, Pipe 3/8 NPT x 1.00
63	532 14 55-49	Shield, Heat VGT YP/Husq.

NOTE: All component dimensions given in U.S. inches
1 inch = 25.4 mm

REPAIR PARTS

TRACTOR - MODEL NO. GT200 (954140011A)

SEAT ASSEMBLY



KEY NO.	PART NO.	DESCRIPTION
1	532 14 15-25	Seat
2	532 14 05-51	Bracket, Pivot Seat
3	532 14 06-75	Strap, Fender
4	532 12 70-18	Bolt, Shoulder 5/16-18 X .62
5	532 14 50-06	Clip, Push In Hinged
6	873 80 06-00	Nut, Lock Hex W/Ins. 3/8-16 Unc
7	532 12 41-81	Spring, Seat Cprsn
8	532 15 01-76	Bolt 5/16-18 UNC x 3/4 w/Sems
10	532 15 59-25	Pan, Seat
12	532 12 12-46	Bracket, Mounting Switch
13	532 12 12-48	Bushing, Snap
14	872 05 04-11	Bolt, Carriage 1/4-20 X 1-3/8

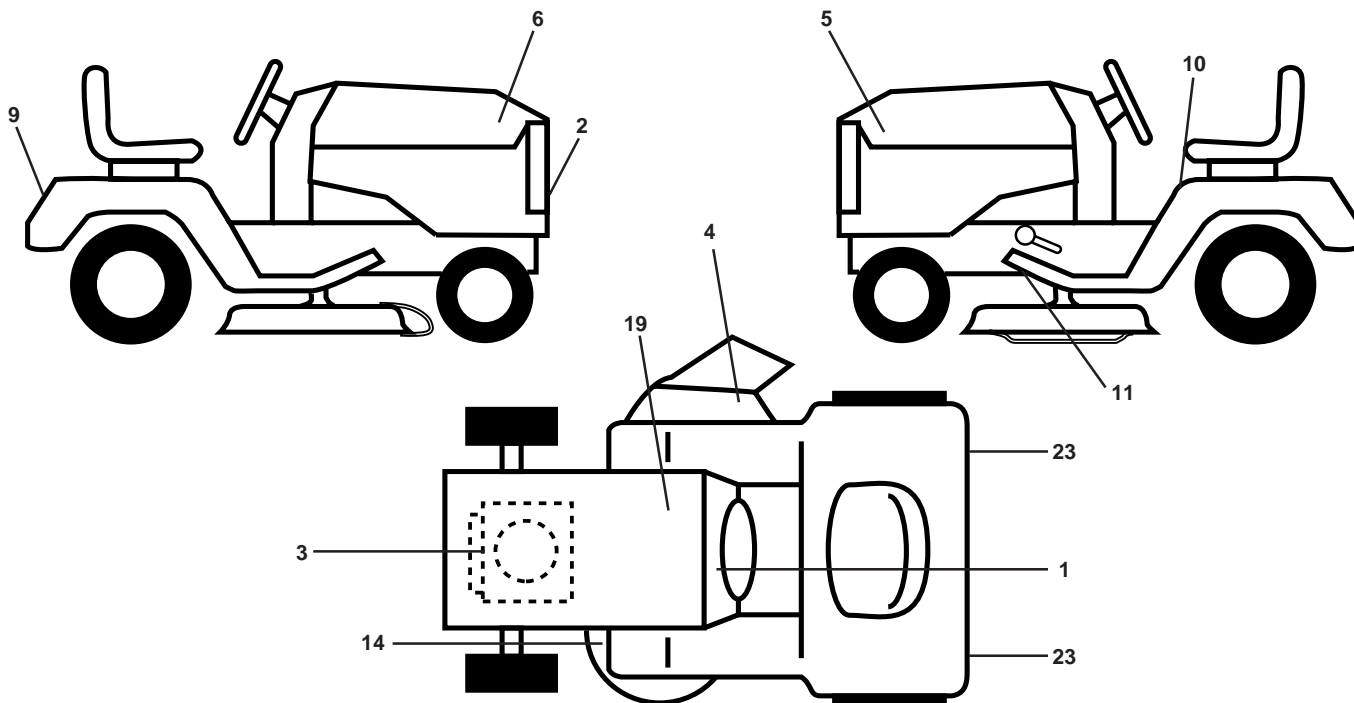
KEY NO.	PART NO.	DESCRIPTION
15	532 12 12-49	Spacer, Split
16	532 12 37-40	Spring, Cprsn
17	532 12 39-76	Nut, Lock 1/4 Lge Flg Gr. 5
18	819 17 19-12	Washer 17/32 X 1-3/16 X 12 Ga.
19	532 12 00-68	Knob, Seat 1/2-13 Unc
20	532 12 42-38	Cap, Spring Seat
21	532 15 32-36	Bolt, Shoulder 5/16-18 Unc-2A
22	873 68 05-00	Nut, Crownlock 5/16-18 Unc

NOTE: All component dimensions given in U.S. inches
1 inch = 25.4 mm

REPAIR PARTS

TRACTOR - MODEL NO. GT200 (954140011A)

DECALS



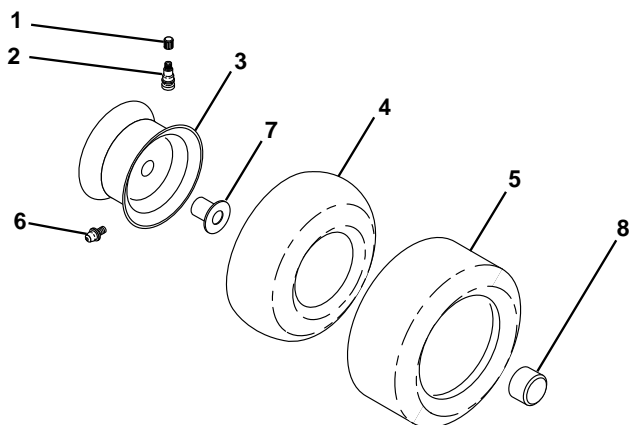
KEY NO.	PART NO.	DESCRIPTION
1	532 15 71-06	Decal, Operating Instruction
2	532 15 06-16	Decal, Grille Husqvarna
3	532 15 37-00	Decal, Kohler
4	532 13 72-59	Decal, Warning Mult-Lang.
5	532 15 06-41	Decal, Hood LH GT200
6	532 15 06-40	Decal, Hood RH GT200
9	532 15 06-17	Decal, Fender
10	532 15 71-40	Decal, Danger
11	532 10 18-92	Decal, Clutch/Brake
14	532 13 93-46	Decal, V-Belt Schematic

KEY NO.	PART NO.	DESCRIPTION
19	532 14 64-51	Decal, Battery
23	532 10 62-02	Reflector, Taillight
--	532 13 83-11	Decal, Handle Lft Height Adjust (Lift Handle)
--	532 14 52-46	Pad Ftrest Rbr Sq Generic 95
--	532 14 52-47	Fastener Pop-In Footrest (8 per)
--	532 15 71-26	Manual, Owner's (English)
--	532 15 71-28	Manual, Owner's (French)

Accessories not included with tractor:

--	SH10	Sleeve Hitch
--	TA128	Tire Chains
--	TS20	8HP Tiller
--	TA321	#55 Wheel Weights
--	TR72	Dozer Blade
--	TR30	10" Plow

WHEELS & TIRES



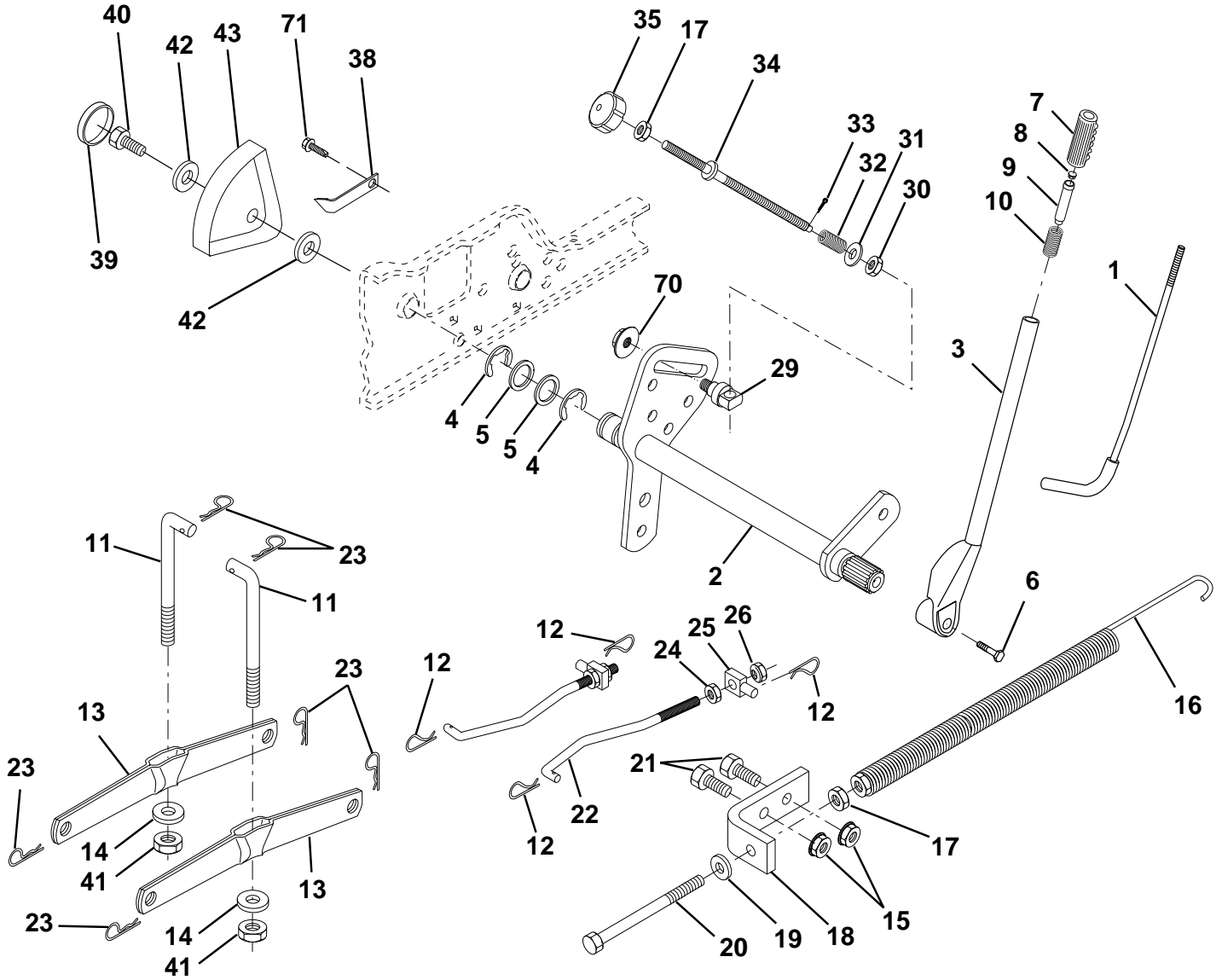
KEY NO.	PART NO.	DESCRIPTION
1	532 05 91-92	Cap, Valve, Tire
2	532 06 51-39	Stem, Valve
3	532 14 45-09	Rim Assembly, Front
	532 14 45-10	Rim Assembly, Rear
4	532 00 81-34	Tube, Front (Service Item Only)
	532 00 71-54	Tube, Rear (Service Item Only)
5	532 10 62-30	Tire, Front
	532 10 55-88	Tire, Rear
6	532 12 48-60	Fitting, Grease
7	532 12 49-59	Bearing, Flange (Front Wheel Only)
8	532 10 47-57	Cap, Hub, Axle Blk.
--	532 14 43-34	Sealant, Tire (10 oz. Tube)

NOTE: All component dimensions given in U.S. inches
1 inch = 25.4 mm

REPAIR PARTS

TRACTOR - MODEL NO. GT200 (954140011A)

LIFT ASSEMBLY



REPAIR PARTS

TRACTOR - MODEL NO. GT200 (954140011A)

LIFT ASSEMBLY

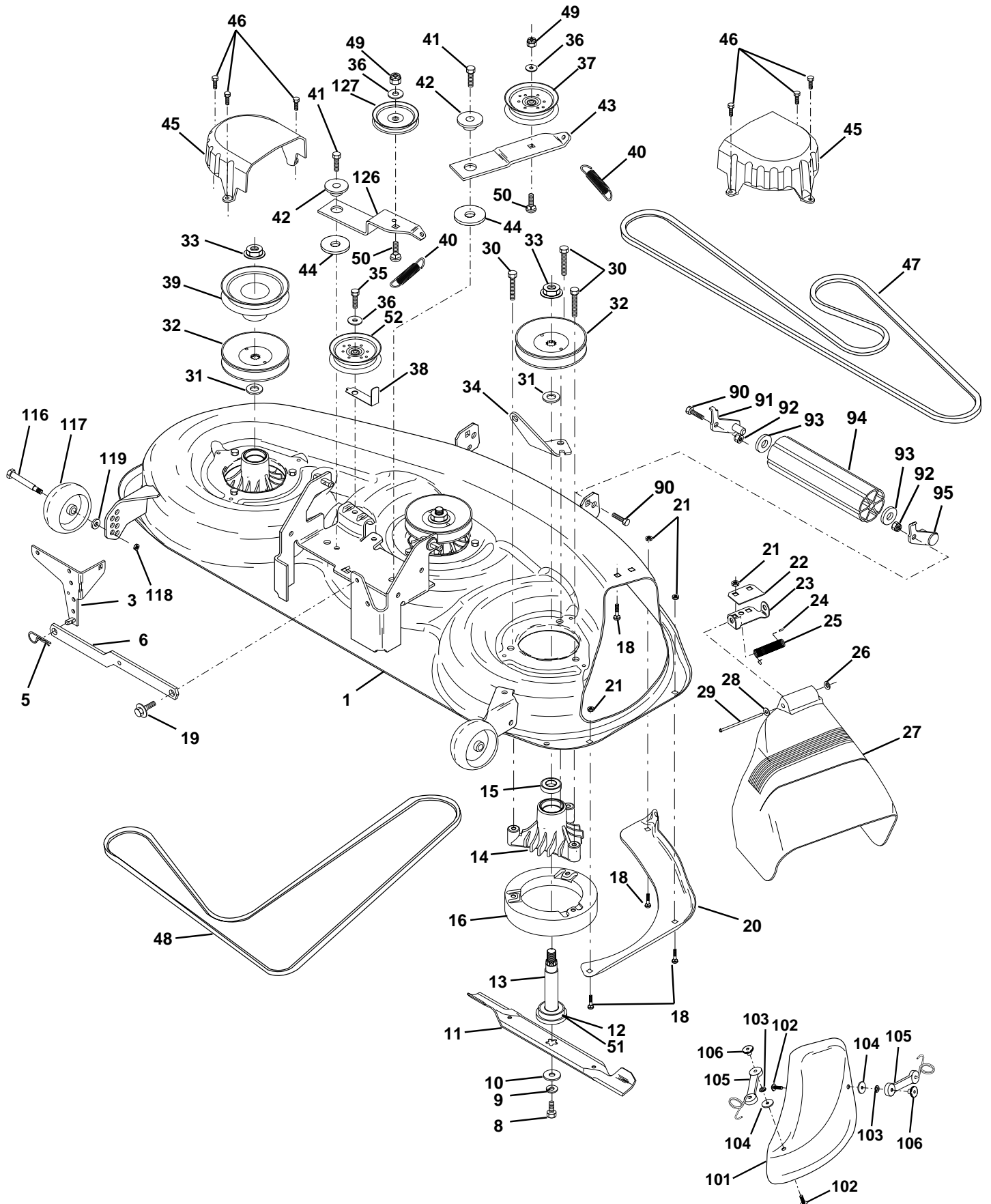
KEY NO.	PART NO.	DESCRIPTION
1	532 12 10-06	Rod Asm., Lever
2	532 15 43-89	Shaft Asm., Lift Vgt
3	532 12 10-02	Lever Asm., Lift Rh
4	812 00 00-22	E-Ring Truarc #5133-87
5	819 29 20-16	Washer 29/32 x 1-1/4 x 16 Ga.
6	874 78 06-24	Bolt, Fin Hex 3/8-16 x 1-1/2
7	532 12 56-31	Grip, Handle Fluted
8	532 12 45-26	Button, Plunger
9	532 12 23-64	Plunger, Lever Lift
10	532 12 48-74	Spring 2-1/8"
11	532 14 67-04	Link Lift
12	532 12 46-60	Retainer, Spring
13	532 13 98-68	Arm, Suspension Vgt
14	532 14 03-02	Bearing
15	873 68 06-00	Nut, Crownlock 3/8-16 Unc
16	532 12 46-87	Spring Asm., Assist Lift
17	873 35 06-00	Nut, Hex Jam 3/8-16 Unc
18	532 14 33-63	Bracket, Spring Assist
19	819 13 13-16	Washer 13/32 x 13/16 x 16 Ga.
20	532 00 53-28	Bolt, Adjust Spring Assist
21	874 76 06-16	Bolt, Fin Hex 3/8-16 x 1
22	532 12 72-18	Link, Front
23	532 12 46-70	Retainer, Spring
24	873 35 08-00	Nut, Jam Hex 1/2-13 Unc
25	532 13 01-71	Trunnion
26	873 80 08-00	Nut, Lock W/Wsh 1/2-13 Unc
29	532 15 02-33	Trunnion, Infin Height
30	532 11 08-07	Nut, Special
31	819 13 10-16	Washer 13/32 x 5/8 x 16 Ga.
32	532 13 71-50	Spring, Compression Inf Hgt
33	876 02 03-08	Pin, Cotter 3/32 x 1/2
34	532 13 71-67	Rod, Adj Lift
35	532 13 80-57	Knob, Inf 3/8-16 Unc
36	817 49 06-12	Screw, Thdrol 3/8-16 x 3/4
37	532 12 05-29	Washer, Nylon
38	532 13 83-46	Pointer, Pnt Height Indicator
39	532 12 39-35	Plug, Hole
40	817 49 05-12	Screw Thdrol 5/16-18 x 3/4
41	873 54 06-00	Nut, Crownlock 3/8-24
42	819 11 24-10	Washer 11/32 x 1-1/2 x 10 Ga.
43	532 12 39-34	Scale, Indicator Height
70	532 14 52-12	Nut Hexflange Lock

NOTE: All component dimensions given in U.S. inches
1 inch = 25.4 mm

REPAIR PARTS

TRACTOR - MODEL NO. GT200 (954140011A)

MOWER DECK



REPAIR PARTS

TRACTOR - MODEL NO. GT200 (954140011A)

MOWER DECK

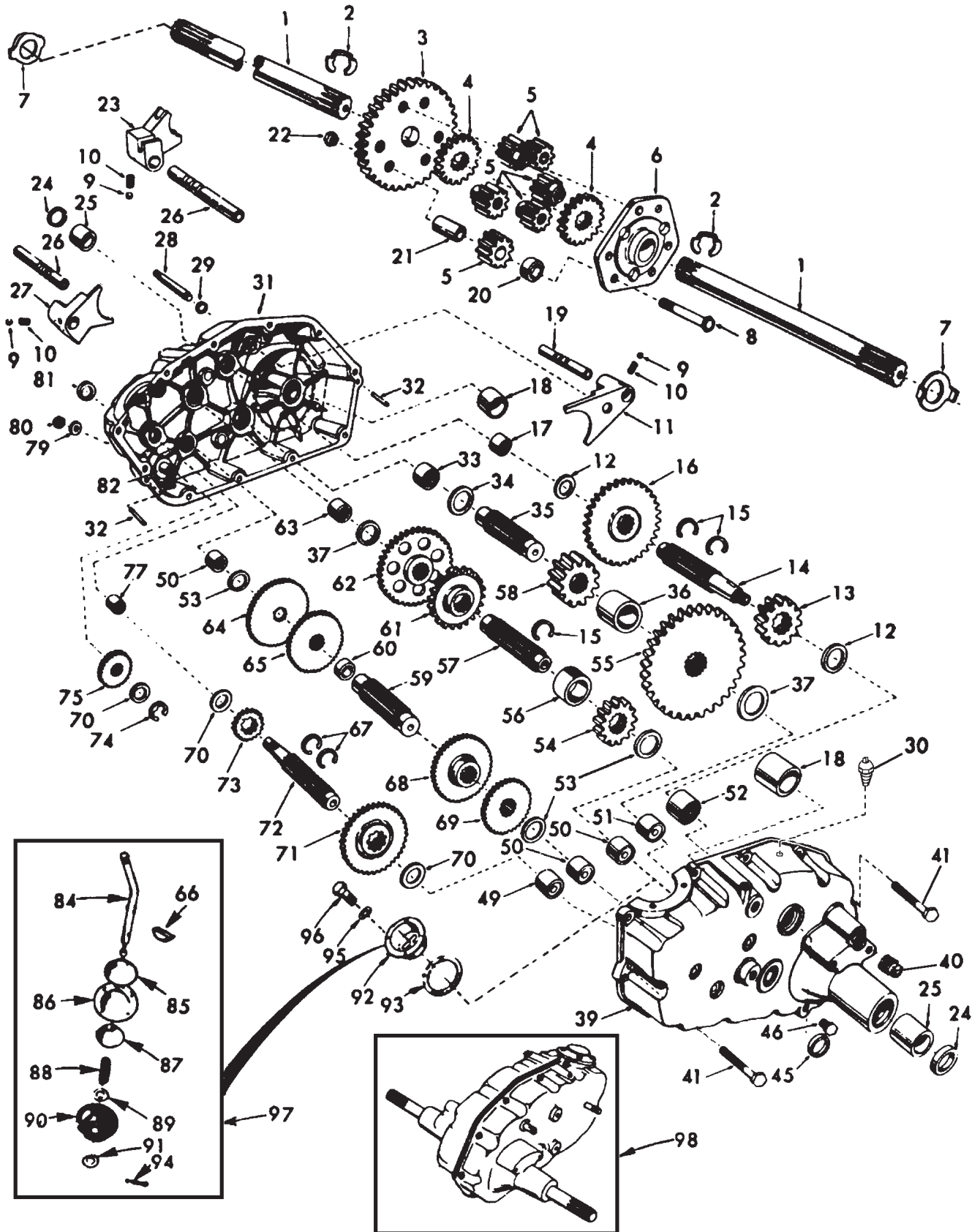
KEY NO.	PART NO.	DESCRIPTION	KEY NO.	PART NO.	DESCRIPTION
1	532 15 31-25	Deck Asm., Mower 46"	42	532 12 20-52	Spacer, Retainer
3	532 13 84-57	Bracket Asm., Sway Bar	43	532 14 49-49	Arm, Idler Secondary
5	532 12 46-70	Retainer Spring	44	532 13 39-43	Washer, Hardened
6	532 13 08-32	Arm, Suspension, Rear (Sway Bar)	45	532 14 50-59	Cover, Mandrel Deck
8	532 85 08-57	Bolt, Patched 3/8-24 x 1-1/4 Gr. 8	46	532 13 77-29	Screw, Thdroll. 1/4-20 x 5/8
9	810 03 06-00	Washer, Lock Hvy., Unplated 3/8	47	532 14 49-59	V-Belt, Mower, Secondary
10	532 14 02-96	Washer, Hard Blade, Mower Vented	48	532 14 87-63	V-Belt, Mower, Primary
11	532 15 24-43	Blade, 46" Mulching	49	873 68 06-00	Nut, Crownlock 3/8-16 UNC
12	532 12 98-95	Bearing, Ball, Mandrel #6204	50	872 11 06-12	Bolt, Carriage 3/8-16 x 1-1/2 Gr. 5
13	532 13 75-53	Shaft Asm. w/Lower Bearing (Includes Key No. 12)	51	532 15 33-90	Washer Felt
14	532 13 71-52	Housing, Mandrel	52	532 15 51-91	Pulley Idler Flat 46 PRI drive
15	532 11 04-85	Bearing, Ball, Mandrel	90	874 76 06-16	Bolt Fin Hex 3/8-16 x 1
16	532 14 03-29	Stripper, Mower Round	91	532 13 22-74	Bracket Asm Noseroller LH
18	872 14 05-05	Bolt, Carriage 5/16-18 x 5/8	92	873 80 06-00	Nut Lock Hex W/Ins 3/8-16 UNC
19	532 13 28-27	Bolt, Hex Head, Shoulder 5/16-18	93	819 17 14-16	Washer 17/32 x 7/8 x 16 Ga.
20	532 14 50-55	Baffle, Vortex Mower 46"	94	532 13 22-64	Roller Nose
21	873 68 05-00	Nut, Crownlock 5/16-18 UNC	95	532 13 22-73	Bracket Asm Noseroller RH
22	532 13 47-53	Stiffener, Bracket	101	532 14 55-79	Cover, Mulching
23	532 13 12-67	Bracket, Deflector	102	871 16 10-10	Screw
24	532 10 53-04	Cap, Sleeve	103	810 07 10-00	Washer, Lock #10
25	532 12 37-13	Spring, Torsion, Deflector	104	819 06 12-16	Washer
26	532 11 04-52	Nut, Push	105	532 13 07-58	Latch Asm. Bagger
27	532 14 53-25	Shield, Deflector Mower	106	532 12 50-04	Nut, Weld
28	819 11 10-16	Washer 11/32 x 5/8 x 16 Ga.	116	532 13 76-44	Bolt, Shoulder
29	532 13 14-91	Rod, Hinge	117	532 13 39-57	Gauge Wheel, Wide
30	532 13 87-76	Screw, Hex Head, Thdroll	118	873 93 06-00	Nut, Centerlock 3/8-16 UNC
31	532 12 99-63	Washer, Spacer Mower Vented	119	819 12 14-14	Washer 3/8 x 7/8 x 14 Ga.
32	532 15 35-31	Pulley, Mandrel	126	532 14 49-48	Arm, Idler, Primary Deck 46"
33	532 13 72-66	Nut, Flg. Top Lock Cntr. 9/16	127	532 14 67-63	Pulley, Idler, V-Groove Dim. 4.25
34	532 14 49-45	Anchor, Spring Deck 46"	--	532 14 36-51	Mandrel Asm 44"/50" Service (Includes Key No.s 8-10, 12-15, 31 and 33)
35	817 49 06-28	Screw, Thdroll 3/8-16 x 1-3/4 Tytt	--	532 14 74-01	Deck Complete (Std. Deck-Order separately mulcher plate and gauge wheel components Key Nos. 101-106 and 116-118)
36	819 13 13-16	Washer 13/32 x 13/16 x 16 Ga.			
37	532 13 14-94	Pulley, Idler, Flat			
38	532 13 75-54	Keeper, Belt, Idler			
39	532 14 49-17	Pulley, Idler, Driven			
40	532 13 72-73	Spring, Secondary 44/46/50 Vent			
41	817 49 06-20	Screw, Thdroll 3/8-16 x 1-1/4 Tytt			

NOTE: All component dimensions given in U.S. inches
1 inch = 25.4 mm

REPAIR PARTS

TRACTOR - MODEL NO. GT200 (954140011A)

TRANSAXLE



REPAIR PARTS

TRACTOR - MODEL NO. GT200 (954140011A)

TRANSAXLE

KEY PART NO.	NO.	DESCRIPTION	KEY PART NO.	NO.	DESCRIPTION
1	532 12 46-62	Axle Shaft	52	532 00 81-19	Needle Bearing
2	812 00 00-34	Retaining Ring	53	532 00 42-20	Thrust Bearing Race
3	532 00 41-99	Final Drive Gear	54	532 00 42-09	3rd Reduction Pinion, Low
4	532 00 42-16	Differential Gear	55	532 12 46-68	4th Reduction Gear
5	532 00 42-15	Differential Pinion	56	532 00 44-42	3rd Reduction Pinion Spacer
6	532 00 42-17	Differential Carrier	57	532 00 41-95	2nd Reduction Gear Shaft
7	532 12 46-74	Axle Thrust Washer	58	532 00 42-14	Final Drive Pinion
8	874 02 06-52	Bolt, Hex Head 3/8-24 x 3-1/4 (1" Thread Length)	59	532 00 41-94	1st Reduction Gear Shaft
9	532 12 46-97	Steel Ball	60	532 00 75-28	1st Reduction Shaft Spacer
10	532 13 72-61	Spring Shift Fork Detent	61	532 12 46-66	3rd Reduction Pinion High
11	532 00 49-85	Shift Fork, High-Low Range	62	532 12 46-65	2nd Reduction Gear
12	532 12 49-31	Thrust Bearing Race	63	532 00 73-98	Needle Bearing
13	532 12 46-67	4th Reduction Pinion	64	532 12 46-64	Low Speed Gear and 2nd Reduction Pinion Cluster
14	532 13 71-25	3rd Reduction Gear Shaft	65	532 00 42-04	Reverse Gear
15	532 12 46-77	Snap Ring, Crescent Type	66	532 00 28-98	Key, Hi-Pro 1/8 x 17/32
16	532 12 46-79	High-Low Range Gears	67	812 00 00-33	Snap Ring, Crescent Type
17	532 00 81-18	Needle Bearing	68	532 00 42-05	Intermediate Speed Gear
18	532 12 47-05	Sintered Iron Bearing	69	532 12 50-99	High Speed Gear
19	532 12 22-38	Shift Fork Shaft, High-Low Range	70	532 00 13-70	Thrust Bearing Race
20	532 00 42-18	Differential Pinion Spacer	71	532 12 46-81	Intermediate and High Speed Cluster Pinions
21	532 12 46-73	Differential Pinion Bushing	72	532 13 91-20	Input Shaft
22	532 12 47-01	Gripco Centerlock Nut 3/8-24	73	532 00 42-01	Low Speed Pinion
23	532 00 62-62	Shift Fork, R.H.	74	812 00 00-08	E-Ring
24	532 12 46-98	Oil Seal	75	532 00 11-53	Reverse Idler Gear
25	532 12 47-09	Sintered Iron Bearing	77	532 00 68-03	Needle Bearing
26	532 13 91-11	Shift Fork Shaft	79	532 00 11-67	Sealing Washer
27	532 00 49-86	Shift Fork, L.H.	80	873 36 07-00	Nut, Hex, Jam 7/16-20
28	532 12 22-54	Shift Shaft, High-Low Range	81	532 12 46-75	Oil Seal
29	532 00 62-69	Oil Seal	82	532 13 69-84	Reverse Idler Shaft
30	532 00 58-55	Pressure Relief Valve	84	532 00 53-84	Gearshift Lever, Bent
31	532 13 95-38	Gearcase, Reverse Idler Shaft and Bearings, R.H. (Includes Key No.'s 17,18, 25, 33, 50, 63, 77 and 82)	85	532 00 29-78	Gearshift Cap
32	532 00 62-77	Dowel Pin	86	532 12 46-82	Gearshift Ball Cover and Pin
33	532 00 42-25	Needle Bearing	87	532 12 47-04	Shift Lever Guide Ball, Keyed
34	532 00 73-96	Thrust Bearing Race	88	532 00 49-24	Spring
35	532 00 41-98	4th Reduction Gear Shaft	89	819 15 15-16	Washer 15/32 x 15/16 x 16 Gauge
36	532 12 46-63	4th Reduction Gear Spacer	90	532 11 05-42	Shift Mechanism Seal
37	532 00 73-95	Thrust Bearing Race	91	819 18 15-11	Washer 9/16 x 15/16 x 12 Gauge
39	532 13 95-36	Gearcase and Bearings, L.H. (Includes Key Numbers 18, 25, 49, 50 (2), 51 and 52)	92	532 00 00-75	Gearshift Gate and Reinforcement
40	813 32 04-00	Pipe Plug 1/2-14 N.P.T.	93	532 00 62-74	Shift Ball Cover Gasket
41	817 58 05-20	Bolt, Hex 5/16-18 UNC x 1-1/4	94	876 02 04-12	Cotter Pin 1/8 x 3/4
45	532 00 62-71	Oil Seal	95	810 04 05-00	Washer, Lock 5/16
46	813 06 02-00	Pipe Plug 1/4-18 N.P.T.	96	874 76 05-14	Bolt, Hex Head 5/16-18 UNC x 7/8
49	532 12 47-92	Needle Bearing	97	532 12 48-63	Gear Shift Lever Assembly
50	532 00 42-22	Needle Bearing	98	532 14 03-32	Transaxle, 6 Speed, Complete Assembly
51	532 00 15-29	Needle Bearing			

NOTE: All component dimensions given in U.S. inches
1 inch = 25.4 mm